

# COMMUNICATION CARD SLOT ADAPTER

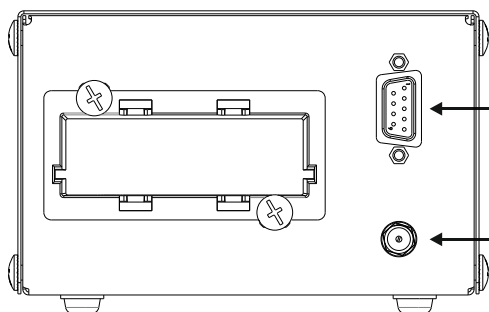
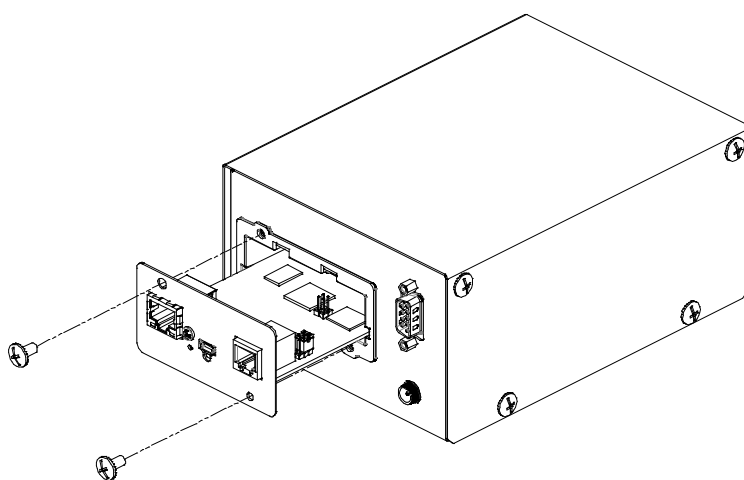
## quick start

### SUPPORTED DEVICES

NetMan 204 – MultiCOM 302 – MultiCOM 352

### INSTALLATION

Remove the two retaining screws, insert the card and fix it with the screws.



Connect to the UPS serial port

Connect to the power supply

#### SERIAL PORT PINOUT

	1	2	3	4	5	6	7	8	9
	-	RXD	TXD	+12Vdc	GND	-	-	-	-

#### POWER SUPPLY TECHNICAL DATA



+12Vdc

500mA